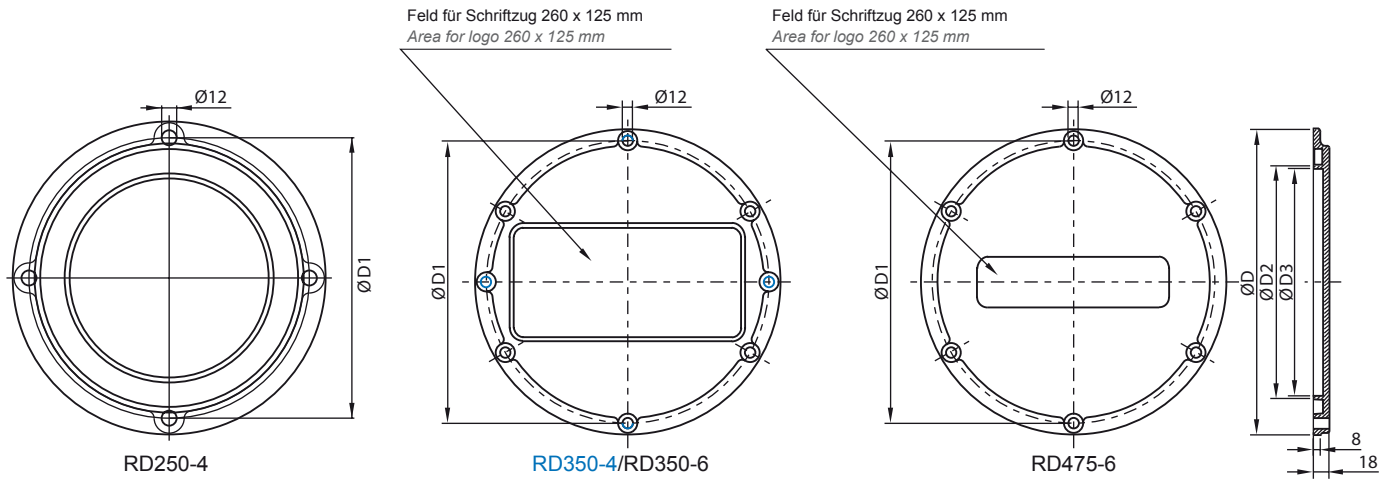
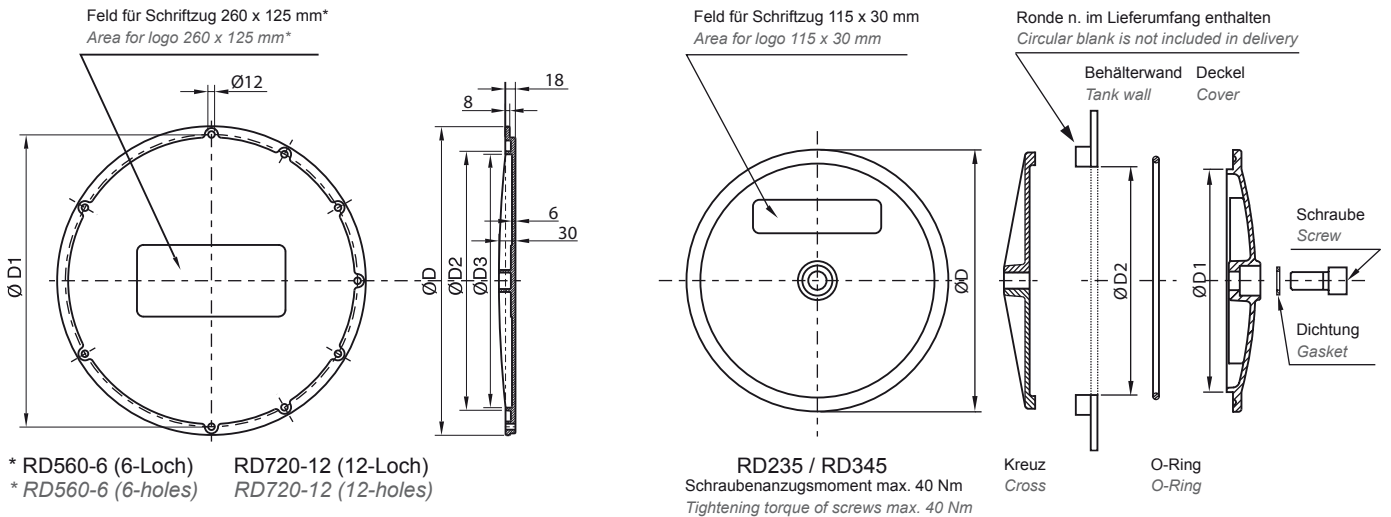


## Reinigungsdeckel in Aluminiumguss *Light alloy cleaning covers*



Reinigungsdeckel-Typ <i>Type of cleaning cover</i>	Abmessungen [mm] <i>Dimensions [mm]</i>				Profildichtung 16 x 18 <i>Profile gasket 16 x 18</i>	
	D	D1	D2	D3	Perbunan	Viton
RD250-4	250	224	167	159	D168 NBR	D168 FPM
RD350-V 324-4*	350	324	267	261	D268 NBR	D268 FPM
RD350-V 324-6*	350	324	267	261	D268 NBR	D268 FPM
RD475-V 449-6*	475	449	392	386	D393 NBR	D393 FPM

\*Reinigungsdeckel nach DIN 24 339 \*Cleaning covers acc. to DIN 24 339



\* RD560-6 (6-Loch) RD720-12 (12-Loch)  
\* RD560-6 (6-holes) RD720-12 (12-holes)

RD235 / RD345  
Schraubenanzugsmoment max. 40 Nm  
Tightening torque of screws max. 40 Nm

Reinigungsdeckel-Typ <i>Type of cleaning cover</i>	Abmessungen [mm] <i>Dimensions [mm]</i>				Profildichtung 16 x 18 <i>Profile gasket 16 x 18</i>	
	D	D1	D2	D3	Perbunan	Viton
RD560	560	530	470	460	D471 NBR	–
RD720	720	680	620	608	D620 NBR	–

Reinigungsdeckel-Typ <i>Type of cleaning cover</i>	Abmessungen [mm] <i>Dimensions [mm]</i>			Dichtung <i>Gasket</i>	Schraube <i>Screw</i>	O-Ring <i>O-Ring</i>	
	D	D1	D2			Perbunan	Viton
RD235	235	200	202	22 x 16 x 1.5	M16 x 55	214 x 5 NBR	214 x 5 FPM
RD345	345	306	308	28.7 x 21.5 x 2.5	M20 x 65	319 x 8.4 NBR	315 x 10 FPM